

SPINE - CREASER

**for ST-100
ST-300
ST-400**

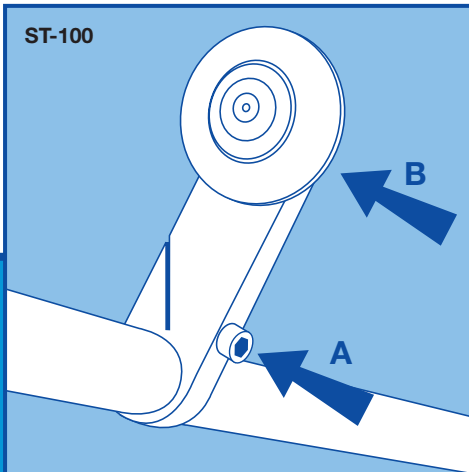


INSTALLATION GUIDE

INSTALLATION

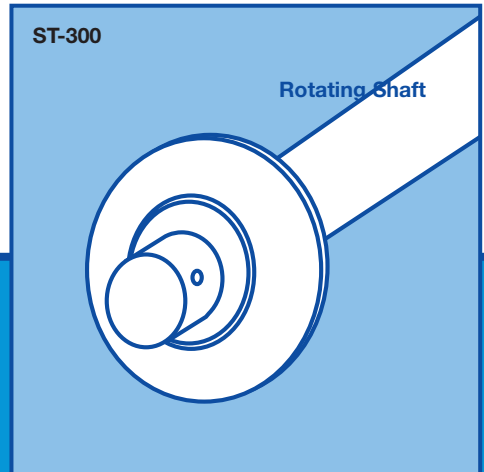
Before installation make sure all power to the machine is switched off. Ensure that all residue such as dust and grease is wiped from the feeder drum using white spirit or similar cleaning substances.

The cover feeder clutch must be set in the out of drive mode to allow a forward motion of the drum to be manually turned during make ready.



Step 1 - Remove Old Device

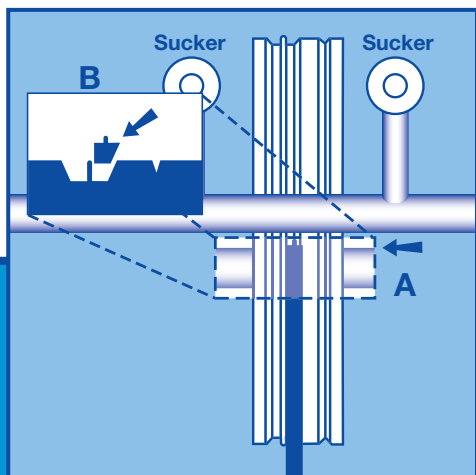
Release the existing cover scoring arm as illustrated in step 1. Use an allen key to release arm at point A. Pull back quite a distance from drum. Use a 4mm hexagon key to dismantle the scoring head at point B.



Step 1 - Remove Old Device

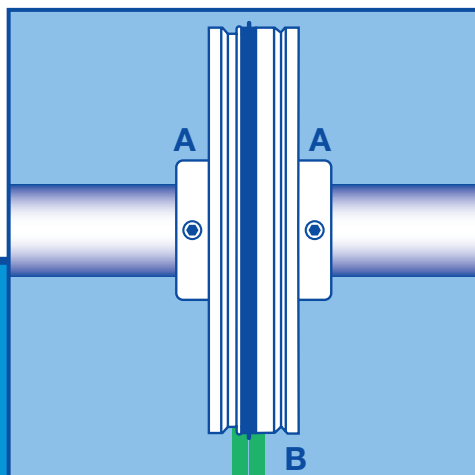
Release the holding screw and remove old creaser. Slide the new female onto the shaft but do not tighten.

ION GUIDE



Step 2 - Affix Creasing Matrix

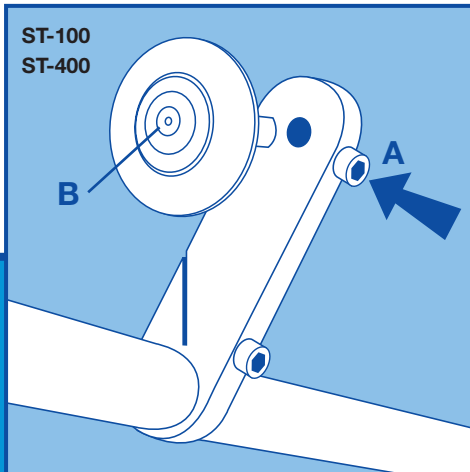
Manually turn the feeding drum to the starting position (A), this is the point at where the cover will be fed on to the drum from the feeding table. The matrix is designed to fit one way only - make sure that the slanted side of the matrix matches the channel shape in the feeding drum (B). Begin to peel back the self adhesive backing from the underside of the creasing matrix and push firmly into the drum channel as indicated in diagram B. It is essential that the matrix must be pushed into the straight side of the channel to achieve correct alignment. Cut away any excess matrix if necessary.



Step 3 - Alignment of Matrix

The feeding drum will need to be realigned so that the new Tech-ni-fold creasing matrix will run in unison with the folding mechanism. Simply release the collars either side of the drum (A). Align the matrix with the green grooved transport belt (B) that takes the cover into the folding mechanism. When the correct position is located move the side collars (A) firmly against either side of the feeding drum and secure using an hexagon key.

INSTALLATION

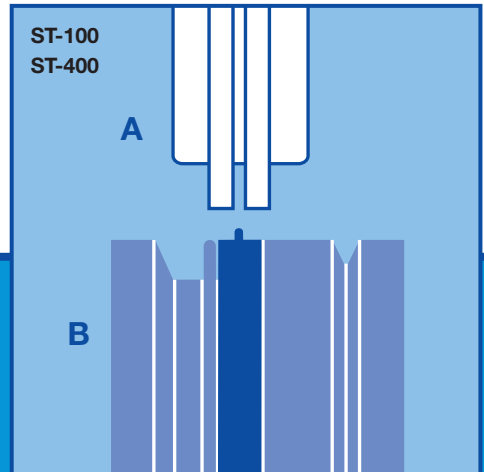


Step 4 - Installing Female Part

Push the female part firmly into vacant hole in the arm and tighten thread A to secure the part.

Changing Females

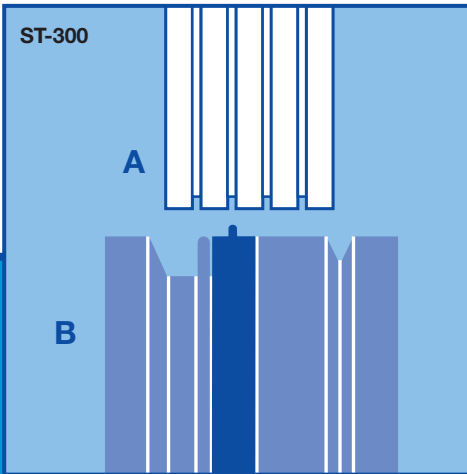
Simply unscrew the 5mm hexagon bolt B and pull female away from the stub shaft and replace with the correct female.



Step 5 - Aligning Female Part

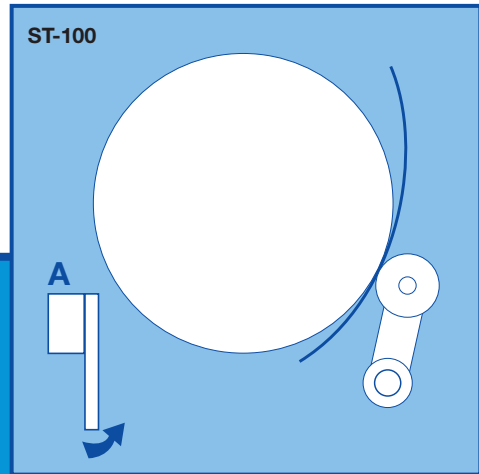
Push the female (A) gently into the centre of the male insert (B) and secure into position. It is important to remember that maximum results can only be achieved through central alignment of the female channel to creasing matrix. The females will create 135-350gsm.

GUIDE CONT...



Step 5 - Aligning Female Part

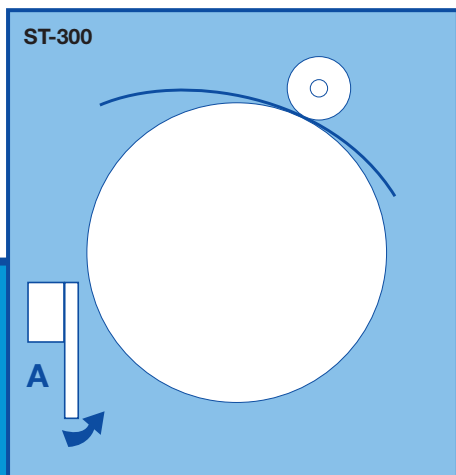
Push the female (A) gently against the creasing matrix (B) on the feeder drum using the middle channel for alignment and secure into position. It is important to remember that maximum results can only be achieved through central alignment of female channel to creasing matrix. The female part has four crease options to deal with light, medium or heavy material weights.



Step 6 - Setting the Calliper

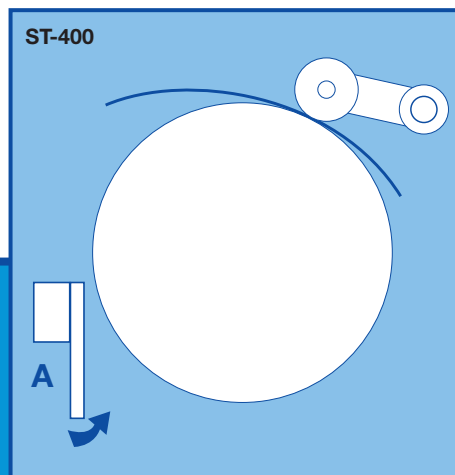
Remove existing paper stock from calliper (A). Put a single piece of the material you are going to process through the machine into the calliper. (The arm pressure may need to be adjusted according to operator preference.) The feeder is now ready to set up and run.

INSTALLATION GUIDE CONT...



Step 6 - Setting the Calliper

Remove existing paper stock from calliper (A). Put a single piece of the material you are going to process through the machine into the calliper. (The calliper pressure may need to be adjusted according to operator preference.) The feeder is now ready to run.



Step 6 - Setting the Calliper

Remove existing paper stock from calliper (A). Put a single piece of the material you are going to process through the machine into the calliper. (The calliper pressure may need to be adjusted according to operator preference.) The feeder is now ready to run.

We also provide creasing solutions for the following machines:

Folding Machines

Stahl/Heidelberg
MBO
Herzog & Heymann
GUK
Horizon
Shoei
Bremmer
Morgana
MB
Eurofold
Rollem (scoring machines)
Rosback (scoring machines)
Multigraf (scoring machines)

Stitchers

Muller Martini
Heidelberg
Hohner
Osako

Perfect Binders

Muller Martini
Kolbus



Tech-ni-fold Ltd
Unit 2
St John's Business Park
Lutterworth
Leicester
LE17 4HB
Tel: +44 (0) 1455 554491
Fax: +44 (0) 1455 554526
Email: info@technifold.co.uk
Website: www.technifold.com